

FOR 80" 6300000

FOR OFFICIAL USE ONLY

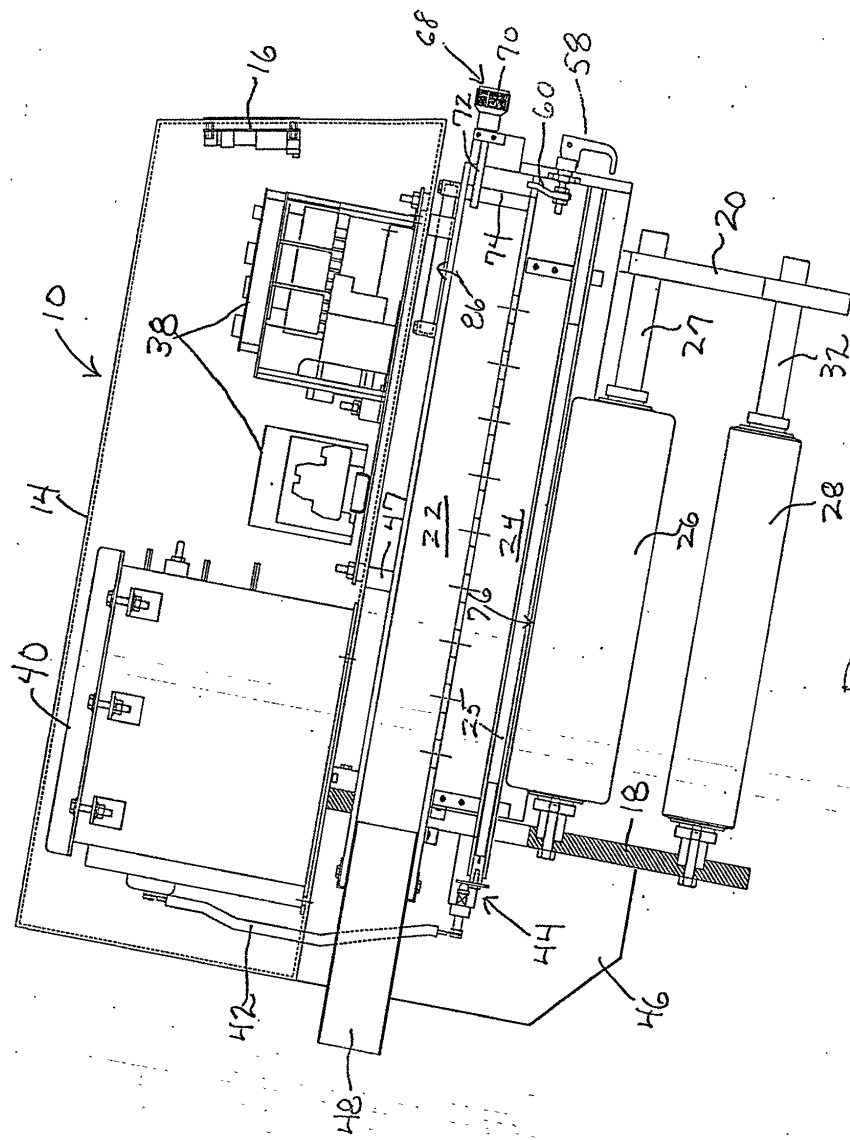


FIG 2

14

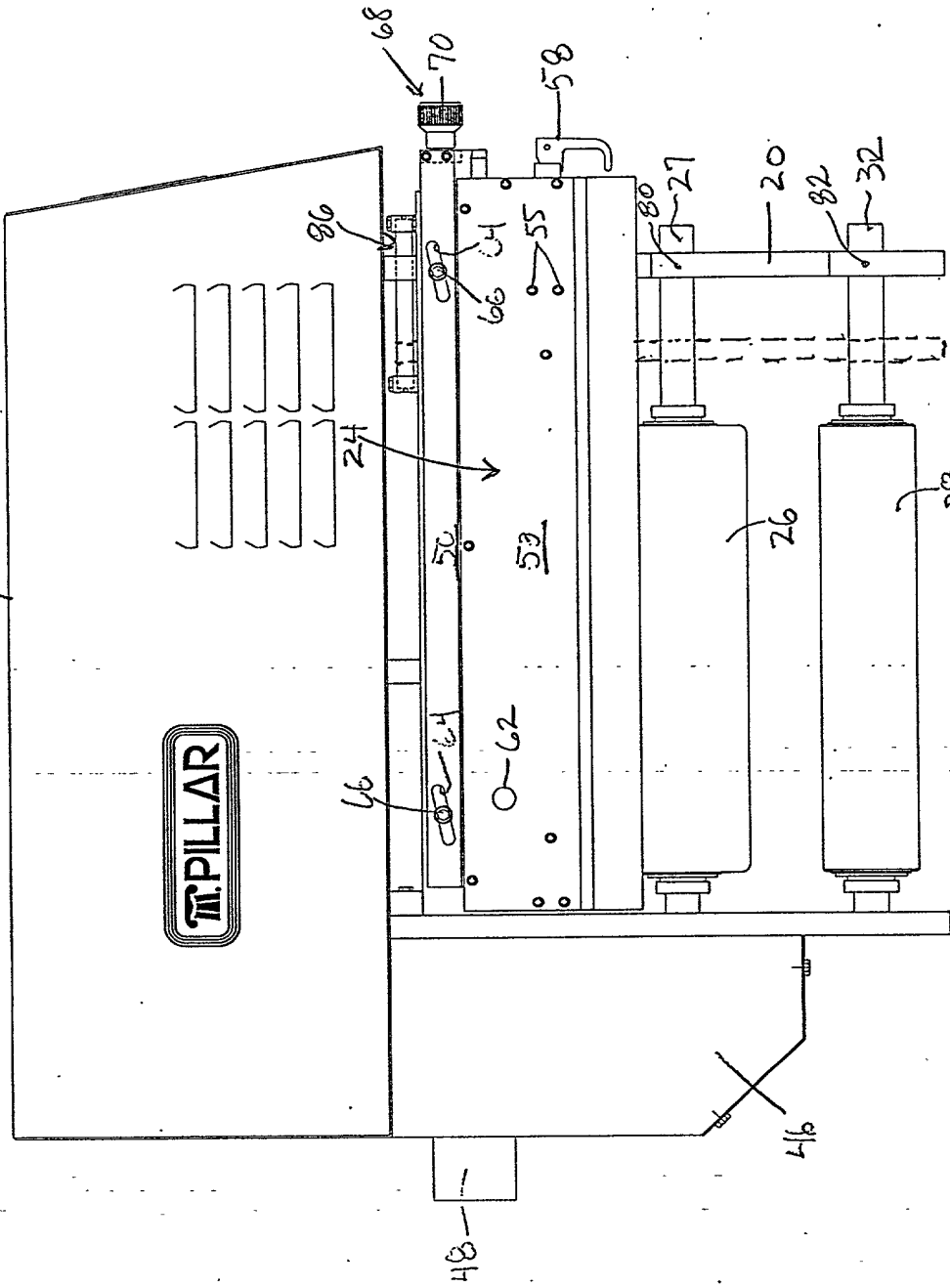


FIG. 3

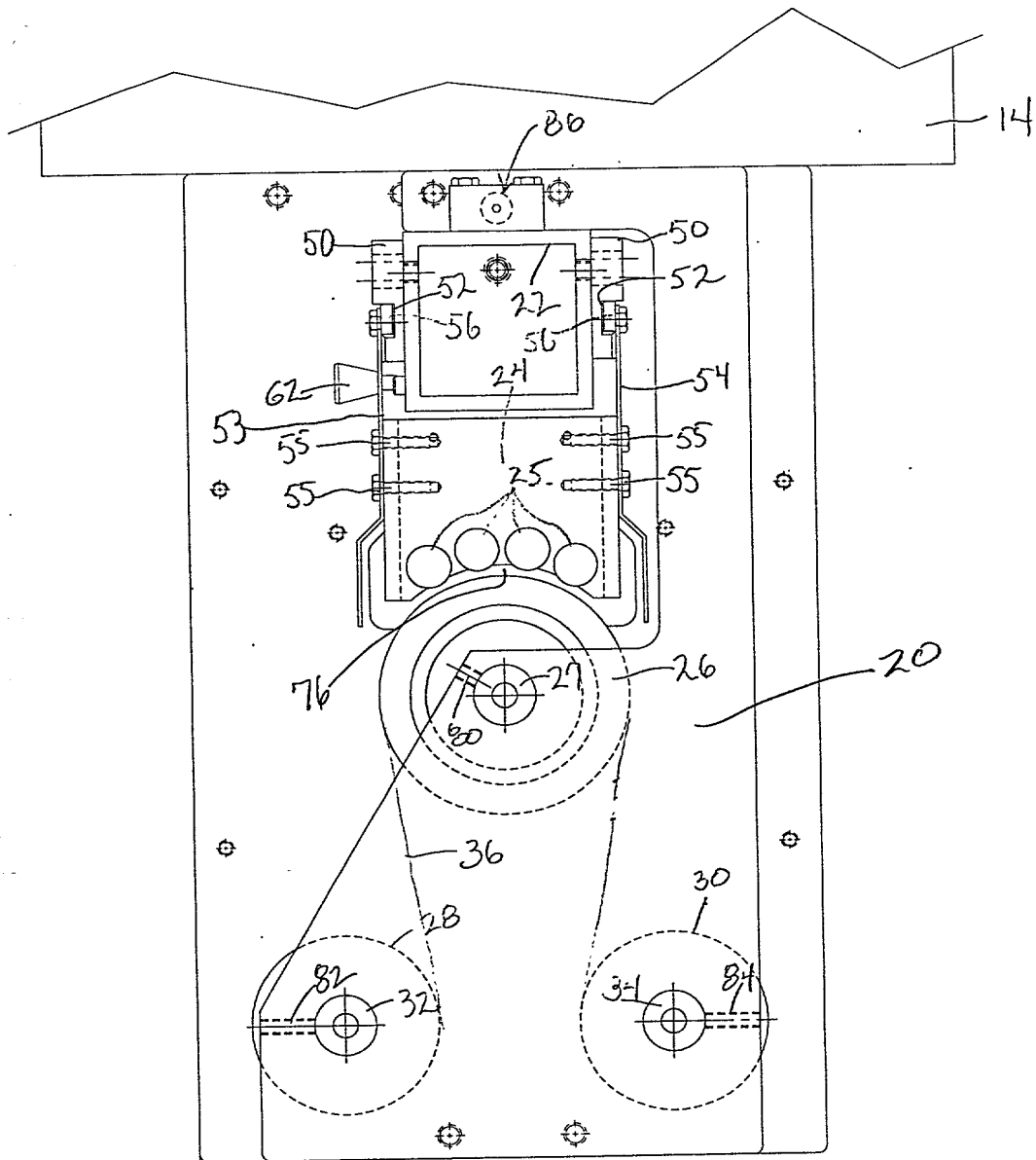


FIG 4

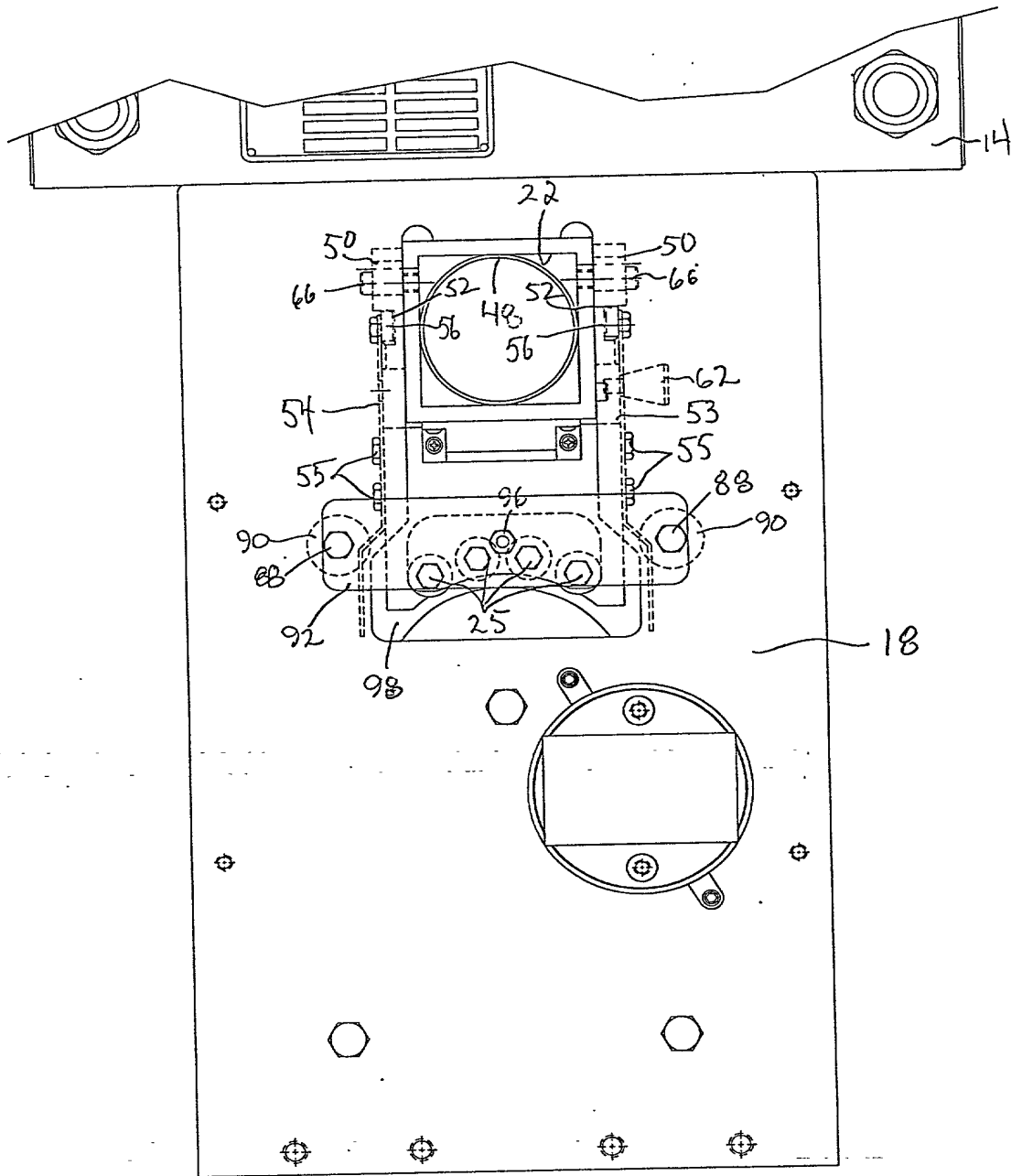


FIG 5